



IBM774-nn

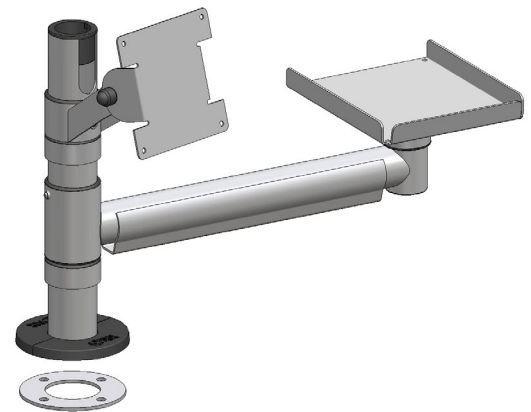
Product Specifications

IBM774 SpacePole® configuration supports the AnyPlace as a POS solution, integrating the IBM 4610 printer. The IBM774 offers a range of flexibility including tilt, rotation along with Internal cable management. For a full AnyPlace POS system select IBM781 mounting bracket for the IBM AnyPlace POS Hub™.

www.spacepole.com

Technical Specifications

Standard Pole Height	300mm
Customer display adapter	√
Printer Plate	IBM 4610
Cable Management	Internal
Screen Rotation	√
Screen Tilt (forward)	√
Screen Tilt (backward)	√
Footprint	Ø97mm
Pole Diameter	Ø44.5mm
Fasteners & Fixings	M6/50 button head bolt, washer & nut kit
Colour <nn>	05-Iron Grey
Warranty	5 Years



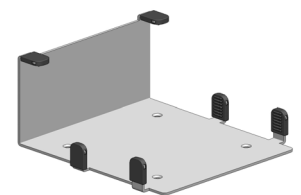
Configure Your Part Number - IBM774-nn

IBM774-nn

nn = Colour Code
-05 - Iron Grey

Notes:

- To mount the IBM AnyPlace POS HUB™ with IBM771 please select IBM781 mounting bracket.
- For additional information on AnyPlace POS mountings please contact us.



IBM781