



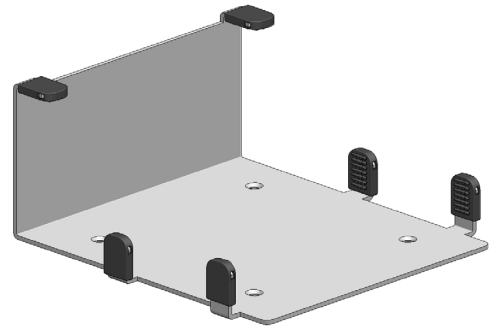
IBM781-nn

Product Specifications

IBM781 SpacePole® configuration supports the IBM AnyPlace POS Hub™. The IBM781 enables the POS Hub to be positioned in many locations and due to the versatility of the Hub in any position.

Technical Specifications

Mounting options	Horizontal, vertical or upside down
Footprint	193(W)x198(D) mm
Footprint incl. hub	196(W)x210(D)x92(H) mm
Rubber friction pads	6
Fasteners & Fixings	4 Countersunk self tapping screws
Colour <nn>	05-Iron Grey
Warranty	5 Years



www.spacepole.com

Configure Your Part Number - IBM775-xxxx-nn

IBM781-nn

nn = Colour Code
-05 - Iron Grey

Notes:

- To mount additional POS peripherals including the AnyPlace please see the rest of our AnyPlace POS range.
- For additional information on AnyPlace POS mountings please contact us