



IBM1071-xxx-nn

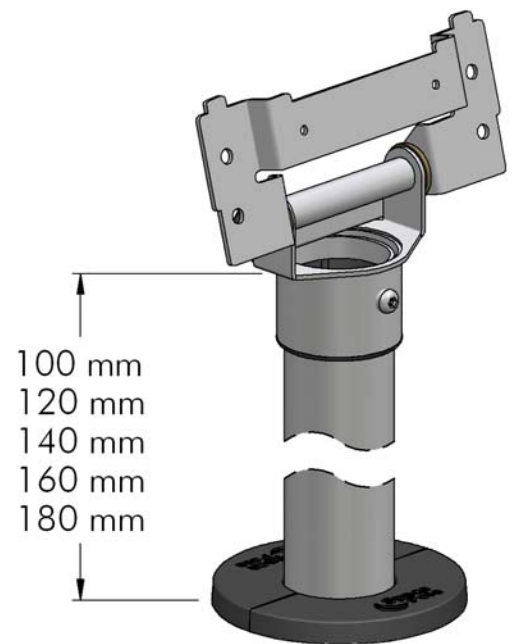
Product Specifications

IBM1071 SpacePole® configuration supports the SurePoint 15" 4820 screens. The IBM1071 offers a range of flexibility with a choice of pole heights when ordering your configuration. Additionally the IBM1071 offers as standard tilt, rotation and cable management.

www.spacepole.com

Technical Specifications

Standard Pole Heights <xxx>	100mm 120mm 140mm 160mm 180mm
Cable Management	Internal
Screen Rotation	210°
Screen Tilt (forward)	√
Screen Tilt (backward)	√
Footprint	Ø97mm
Pole Diameter	Ø44.5mm
Fasteners & Fixings	Self tapping screws
Colour <nn>	04-Pearl 05-Iron Grey
Warranty	5 Years



Configure Your Part Number - IBM1071-xxx-nn

IBM1071-100-nn	nn = Colour Code
IBM1071-120-nn	-04 - Pearl
IBM1071-140-nn	-05 - Iron Grey
IBM1071-160-nn	
IBM1071-180-nn	

Notes:

- The IBM1071 can be installed either on top of the counter or from the underside, all fixings for both options are supplied as standard.
- **This mounting solutions have been designed for the 15" SurePoint 4820 screen only. For the 12" SurePoint 4820 screen, please use IBM0071.**
- When using SpacePole® Stands for the 4820 screen, the rear cable cover Part No. 257104 / RPQ 8Q1871 must be ordered separately.

